



www.folangsiforklift.com

ELECTRIC TRACTOR

电动牵引车

KBZ KBZ KBZ KBZ KBZ KBZ KBZ KBZ KBZ KBZ KBZ KBZ

QYD30-SH

AC 3000-4500 Kg

- ▶ 1.AC vertical driving motor reduces the failure rate and saves maintenance cost.
- ▶ 2.Electronic power steering system(EPS) for flexible and light turning improves the stability of electrical system.
- ▶ 3.Pressurized vibration damping reduces the wheel skidding problems and increases operating comfort.

- ▶ 1. AC 电机, 立式驱动, 减少故障发生率, 节约维护成本;
- ▶ 2. 电子助力转向 (EPS), 转弯灵活、轻便, 提高电气系统稳定性;
- ▶ 3. 增压减震, 减少驱动轮打滑现象, 增加操作舒适度。



Electric Pallet Truck Expert



www.folangsiforklift.com

ELECTRIC TRACTOR

电动牵引车

KBZ KBZ KBZ KBZ KBZ KBZ KBZ KBZ KBZ KBZ KBZ KBZ

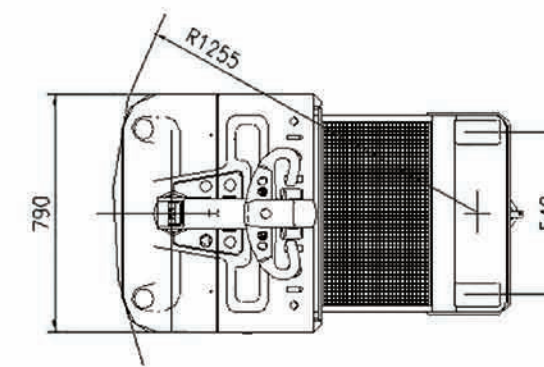
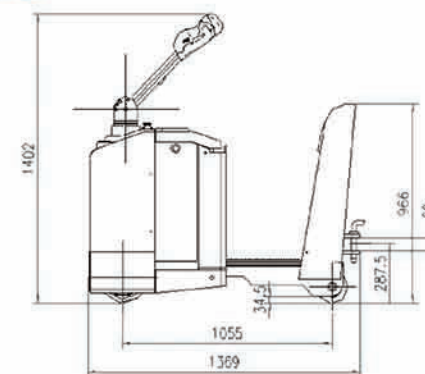
SPECIFICATION

详细说明

		Unit	
Feature 特性	Model 型号		QYD30-SH
	Configuration No. 配置号		480
	Rated traction weight 额定牵引重量	kg	3000-4500
	Rated traction 额定牵引力	N	1100
	Wheel base 轴距	mm	1055
Wheels	Rear wheel tread 后轮距	mm	540
	Operating type 操作类型		Stand On
	Wheels type 车轮类型(前/后)		PU
	Wheels quantity 轮子数量		Driving wheel 1/Bearing wheel 2
	Driving wheel size 驱动轮尺寸	mm	φ 248 × 75
Dimension	Bearing wheel size 承重轮尺寸	mm	φ 160 × 73
	Overall length 整车全长 踏板收起/放下	mm	1369
	Overall width 车体宽度	mm	790
	Height(with handle) 整车高度(含手柄)	mm	1402
	Height(without handle) 整车高度(不含手柄)	mm	966
	Min.Turning radius 最小转弯半径	mm	1255
	Min.ground clearance 最低离地间隙	mm	34.5
Performance	Towing hook height 牵引挂钩高度	mm	287.5
	Travel speed,laden/unladen 最大行驶速度 满载/空载	km/h	5.5/6
	Gradeability,laden/unladen 爬坡速度 满载/空载	%	5/7
Electrical configuration	Drive motor 驱动电机	KW	AC 1.5
	Steering motor 转向电机	KW	DC 0.15
	Battery voltage 蓄电池电压	V	24
	capacity 蓄电池容量	Ah	270
	Brake 制动		Electromagnetic/Regenerative
Weight 重量	Controller 控制器		CURTIS
	Battery weight 蓄电池重量	kg	252
	Service weight with battery 自重(包含蓄电池)	kg	810

DIMENSION DRAWING

外形尺寸图



FOLANGSI MACHINE CO., LTD.

Tel.:020-39993595 Fax:020-39993597

E-mail:admin@folangsiforklift.com

